

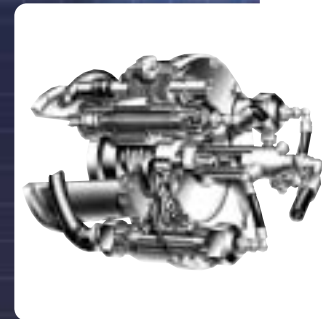


For the complete range contact
Tel (770) 889-9535 Fax (770) 887-9411

PO Box 2250, Cumming, GA 30028, USA
Web: www.harbeninc.com
Email: sales@harbeninc.com
Toll Free: (800) 327-JETS Fax: (770) 887-9411



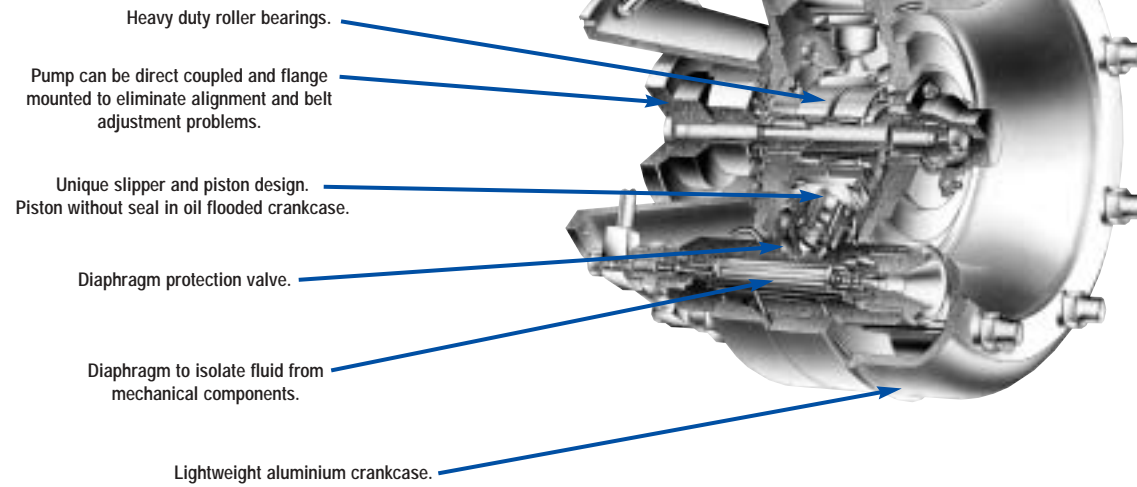
Why risk buying copy parts?



ORIGINAL EQUIPMENT SPARES, ACCESSORIES
& SERVICE EXCHANGE PUMPS

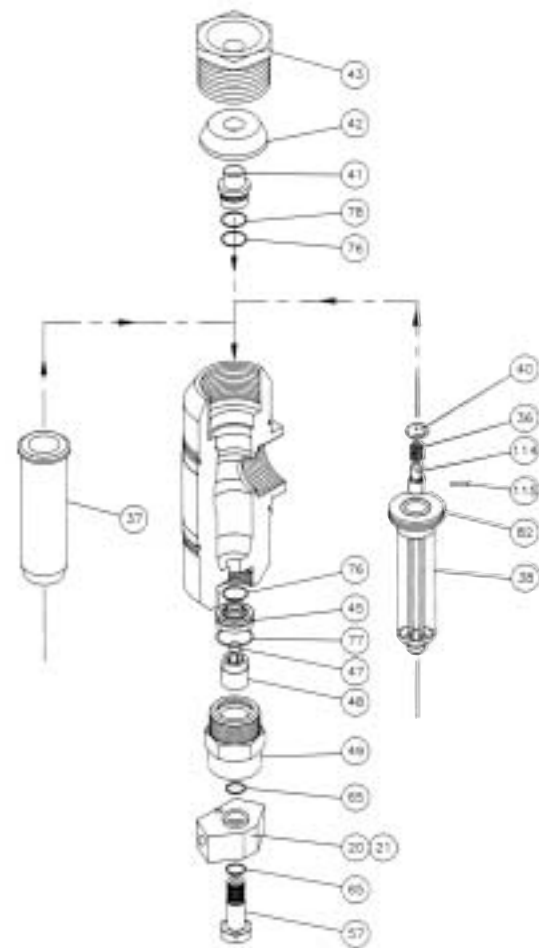


HARBEN® Century Series Pump



CENTURY MK 4D PUMP PARTS LISTING		
ITEM	PART No.	DESCRIPTION
20	100-316	BANJO 3 PORT
21	100-317	BANJO 2 PORT
36	100-673	SPRING
37	100-186	DIAPHRAGM
38	100-678	MANDREL ASSY
40	100-674	VALVE INLET
41	100-676	SEAT INLET
42	100-498	COLLAR
43	100-499	NUT INLET
45	100-563	SEAT DELIVERY
47	013-037	VALVE DELIVERY
48	100-484	GUIDE DELIVERY
49	100-299	NUT DELIVERY
57	100-333	BANJO BOLT
65	033-013	BONDED SEAL 3/8"
76	013-256	O RING
77	013-279	O RING
78	013-257	BACK UP RING
82	015-043	SEAL
114	100-675	STOP INLET
115	100-348	PIN

FULL RANGE OF Hi Q PARTS ALSO AVAILABLE



* per cylinder

CENTURY TYPE PUMP SPARE KITS	
PART No.	DESCRIPTION
700-1004	Kit Overhaul Valve & Diaphragm MK4D Century x no of cylinders
024-032	Kit Overhaul Valve & Diaphragm 4 cylinder MK4C Century
024-033	Kit Overhaul Valve & Diaphragm 8 cylinder MK4C Century
024-021	Kit Seal MK2 Century Selector
024-022	Kit Overhaul MK2 Century Selector
024-044	Kit Overhaul MK2 Safety Relief Valve
024-047	Kit Seal Century Trigger Assembly
024-048	Kit Overhaul Century Trigger Assembly

CLEAN UP WITH OUR COST SAVERS





STANDARD DRAIN JET

Harben's most popular drain jet used to unblock and clean pipes 2" and up.



HIGH EFFICIENCY DRAIN JET

Two piece nozzle that provides up to 30% more cleaning power. Can unblock and clean lines from 3" and up.



CLEANING NOZZLE

Cleaning nozzles offer patented KEG fluid mechanics and are excellent all around debris and cleaning nozzles. Has eight (8) threaded replaceable inserts at 30% angle of incidence. Nozzle is over 80% efficient (ie. water power in converted to water power out).



DRILL POINT QUATTRO NOZZLE

Drill point Quattro nozzles function as grease penetrating nozzles and are also excellent for other types of clogs and obstructions because of the wedge shape. The drill tip is threaded and replaceable. The drill tip has three (3) rear directed orifices. Propulsion jets are located at the rear of the nozzle and may be replaceable or drilled, depending on the size of the nozzle.



1/8 & 1/2" FEMALE BALL JETS

Ideal for use in smaller pipes with tight bends will clean lines from 1.5" and up.



TRACTION NOZZLE

Traction nozzles are excellent for sand penetration and removal and are usually the first nozzle used in line cleaning. Extremely tight water pattern with inserts at 18" can be equipped with optional forward jet for penetrating.



TRIPLE EDGED QUATTRO NOZZLE

Triple edged Quattro nozzles are excellent penetrating and trash nozzles for moving through sand, debris, and other obstructions and moving debris back to the manhole. TEQ nozzles have replaceable inserts or drilled orifices depending on the diameter. TEQ has a forward jet for penetration.



FORWARD JET NOZZLE

Forward Jet nozzle, available in 1/2" or 3/8", is excellent for cleaning services and laterals while moving the debris in one direction, avoiding backups into a residence or business. Has seven (7) M5 replaceable threaded inserts. Available in 10 GPM to 30. Designed to run at a GPM configurations, maximum of 2,000 PSI.



MINI JET KIT

Mini Jet kits are designed for use in small bore pipes with tight bends, floor drains and p-Traps. Comes in lengths of 100', 150' and 200' includes 3R 1F Ball Jet and 1/2 Adapter



75' MICRO MINI JET KIT

Designed for use in extremely small pipes with tight bends. The kit consist of 75' of 3/16" hose, 1/8" Mini Jet and 1/2" Adapter.



MINI HOSE REEL with SWIVEL JOINT

Mini Hose Reel with swivel joint for storage of Mini or Micro Mini Hoses.



1/2" PLOUGH JET

Ideal for silt removal in small sewers.



HARBEN ROCKET JET

Harben Rocket Jet designed for higher flows to remove silt from the bottom of pipes. 3 rear with optional forward nozzle. 4 rear with optional forward nozzle.



MICRO MINI JET - 1/8"

Designed for use in extremely small pipes with tight bends. 3 Rear or 3 Rear 1 Forward.

CLEAN UP WITH OUR CO\$T SAVERS

Why buy cheap, when you can buy the best for less!



JET TIPS

Jet Tips for use with Harben Mark II gun, Century Guns, or Harben Rocket Jet. Jet Tip can be High Velocity or Fan Tips.

HARBEN LEADER EXTENSION JET

It is designed to propel Screma Jet down the pipe and assist diffusing excess flow of water that will not pass the rotor of the Screma Jet.

ORBITAL NOZZLES

Combines the high power of the pencil jet with the coverage of a fan jet.

3/4" CENTURY BOMB JET

Designed for higher flows and to operate with the Harben Century unit.

HIGH PRESSURE WATER SELECTOR

High quality water control valve is simple but rugged. Available for 4,000 to 10,000 PSI application.

HIGH PRESSURE HOSE REEL SWIVEL JOINTS

1/2" swivel operating up to 10,000PSI.

DRAIN JET EXTENSION

Centralizes the jet within the pipe and prevents the jet from doubling back in the pipe. Available in 9", 12", 18" and 24" lengths.

TIGER TAIL

Protects high pressure hose from abrasion. Available 2" or 3".

HARBEN SCREMA ROTARY JET

Ideal for cleaning and descaling pipe up to 4" in diameter. 45 degree forward. 45 degree rear. 90 degree.

CENTURY LAND GUN

Maximum working pressure 10,000 PSI.

ROTOBLAST

Heavy duty, self rotating cleaning device designed to operate with the Harben Century unit.

CENTURY FOOT CONTROL VALVE

Provides safe control of Jetting operation when operator can not be close to the unit. Maximum working pressure 10,000PSI.

HIGH PRESSURE SELECTOR VALVE REBUILD KIT

Kit consists of Plug, Guide, Seat, Spindle, Support, Seal and O rings. Easy, fast and inexpensive way to keep your jetter operating. Maximum working pressure 10,000PSI.

PRESSURE DISC

Red	2,500 PSI	White	4,000 PSI
Purple	3,000 PSI	Black	5,000 PSI
Green	3,500 PSI	Orange	6,000 PSI

10' SAFETY LEADER

Warning of hose retrieval

CENTRALIZERS

Used in conjunction with Turbo Jet, Screma jet and other drain jets. Available for 4", 6", 8", 10" and 12" Pipe.

JET PUMPS

For use in flooded basement, meter pits, floor drains and manholes. Available 1 1/2", 2", 3" and 4".

HOVERCLEAN

For cleaning hard standing areas.

MARK 2 FOOT CONTROL VALVE

Provides safe control of jetting operation when operator can not be close to the unit.

5 JET FLOOR CLEANER

5 Jet Floor Cleaner has patented KEG fluid mechanics. Design for removal of heavy debris, compacted solids and general pipe cleaning.

AQUASPIN NOZZLE

For roots and grease in sewers up to 6".

ROTOR NOZZLES

Rotor Nozzles are "finishing" nozzles to remove grease streaks from pipe walls. The cap comes off and main shaft should be cleaned periodically. Spinning and cleaning jets are in the rotating body in the center of the nozzle; they are replaceable as are the propulsion jets.

WARTHOG WS - 1/2"

Comes with 2' whip hose. Designed for 4" - 8" sewers.

MINI CHAIN CUTTER

Mini cutters are designed to run from 14 GPM to 60 GPM at 1,500 PSI to 4,000 PSI. Each unit has 4", 6" or 8" skids. Units can be operated without the cross cutter and skids for use in 4" laterals. Each unit is provided without the cross cutter and skids for use with 6' of replacement chain. Units are available with 1/2" or 3/4" high pressure swivel. Ideal for cutting service taps, roots, scaling or grease. Chain is flexible conveyor chain and will not harm pipe.

MARK 2 DUMPGUN

Maximum working pressure 6000 psi.

WHEELED HOVERCLEAN

Cleaning hard standing areas with a lower flow.

ABRASIVE INJECTOR KIT

Remove paint, scale and rust with your jetter.

SCREMA JET MOUNTED ON HIGH EFFICIENCY JET

The HE Jet is coupled to a standard Screma Jet, especially useful where a jet needs to propel long distances in order to carry out descaling work. 3 rear HE with 45° forward Screma, 90° Screma, 45° rear Screma.

TURBO ROTARY NOZZLE

Ideal for grease and root removal for pipes from 3" and up. 15° forward. 90° 45° rear.

WARTHOG WT - 3/8"

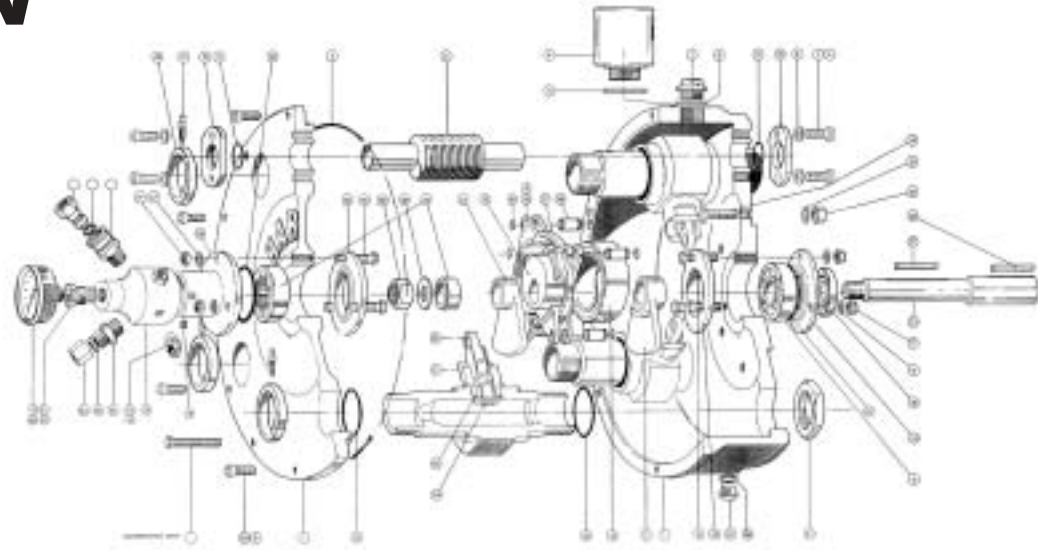
Smallest Warthog nozzle. Good for 3" and 4" pipes. Handles elbows with ease.

WARTHOG WH - 1/2"

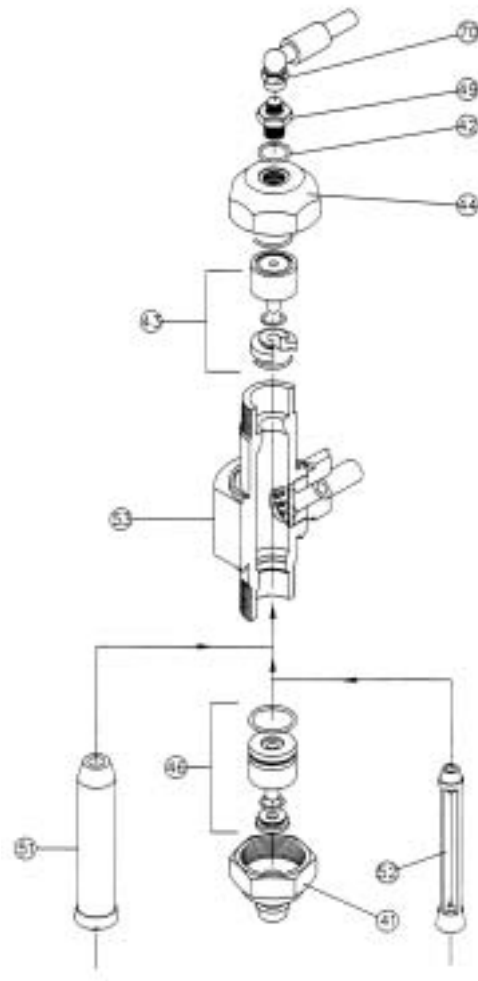
Use for 6" - 18" sewers. Good for grease and root removal.

HARBEN®

'P' Pump



'P' PUMP PARTS LISTING		
ITEM	PART No.	DESCRIPTION
1	011-101	CRANKCASE 3 CYL
1	011-102	CRANKCASE 4 CYL
1	011-103	CRANKCASE 6 CYL
1	011-104	CRANKCASE 8 CYL
2	011-050	O RING
3	013-027	FILLER PLUG
4	013-041	EXP. CHAMBER
5	033-015	BONDED SEAL 1"
6	013-139	WASHER SELON
7	013-084	SCREW M8 x 16
8	013-090	WASHER SP. M8
9	013-008	O RING
10	012-059	COOLER PLATE
11	012-079	OIL COOLER STRAIGHT
11	012-200	OIL COOLER FINNED
14	013-093	SCREW M10 x 45
15	013-029	WASHER M10
16	013-030	NUT NYLOC M10
17	013-035	NUT NYLOC M8
18	013-067	SCREW M8 x 10
19	013-033	SCREW M8 x 45
20	013-452	SCREW M8 x 55
21	100-345	BLEED SCREW
22	013-049	O RING
23	012-041	COUNTER BALANCE
24	012-066	OIL SEAL CARRIER
25	011-009	SHAFT
26	011-053	KEY 8,7,43
27	011-058	KEY 8,7,60
28	013-003	WASHER
29	013-004	NUT NYLOC M20
30	013-155	OIL SEAL
31	013-006	BEARING LOCATING
32	013-005	BEARING FLOATING
34	012-009	BEARING RETAINER
35	012-005	ECCENTRIC
36	012-007	MAIN BEARING



'P' PUMP PARTS LISTING		
ITEM	PART No.	DESCRIPTION
37	012-004	RET. RING
38	011-015	CON ROD 22MM PISTONS
38	011-071	CON ROD 18/20MM PISTONS
39	011-014	GUDGEON PIN
40	013-002	CIRCLIP
41	011-216	VALVE NUT BRASS
41	011-217	VALVE NUT ST.ST
42	033-013	BONDED SEAL 3/8"
43	011-060	VALVE DELIVERY
44	011-116	VALVE NUT BRASS
44	011-117	VALVE NUT ST.ST
46	011-048	VALVE INLET
47	012-011	LOCKNUT
48	012-014	BLEED RING
49	013-145	ADAPTOR 3/8" x 1/4"
50	013-011	O RING
51	012-032	DIAPHRAGM
52	012-033	MANDREL
53	011-229	BARREL ST.ST
54	012-001	BAFFLE
55	011-011	SEAL INNER CYL.
56	012-090	PISTON 18MM
56	012-091	PISTON 20MM
56	012-092	PISTON 22MM
57	011-067	CYLINDER 18MM
57	011-068	CYLINDER 20MM
57	011-069	CYLINDER 22MM
58	012-026	SELECTOR SUPPORT
59	011-123	MANIFOLD BODY 3.
59	011-124	MANIFOLD BODY 4.
59	011-125	MANIFOLD BODY 6.
59	011-126	MANIFOLD BODY 8.
60	061-067	SEATING WASHER
61	011-219	ADAPTOR FOR GAUGE
62	032-168	SEAL NYLON 3/8"
63	012-096	PRESSURE GAUGE 0-6000
63	013-290	PRESSURE GAUGE 0-10,000
64	013-043	HOLDER FOR PR. DISC
66	023-335	ADAPTOR PRESSURE DISC
67	013-490	DRAIN PLUG 3/8"
68	013-026	SEAL DRAIN PLUG
69	013-430	SCREW M8 x 25
70	012-137	TOP HOSE
71	012-138	TOP HOSE AIR BLEED
	011-165	BLEED SCREW
73	033-012	BONDED SEAL 1/4"
74	013-144	ADAPTOR 1/4 BY 1/4"
75	013-232	SCREW HAMMER DRIVE
	023-360	ADAPTOR 1"-1 1/2" BSP

'P' PUMP PARTS LISTING	
PART No.	DESCRIPTION
024-037	Kit Overhaul Selector for Manifold/Inline 'Std' Hoverclean
023-175	Kit Overhaul Selector for Manifold/Inline 'Std' Hoverclean c/w spindle
024-018	Kit Overhaul MK2 Hoverclean and Chute Cleaner
024-011	Kit Overhaul MK2 Gun and Foot Control Valve
023-236	Kit Overhaul Valve and Diaphragm 3 Cylinder 'P' Pump
023-237	Kit Overhaul Valve and Diaphragm 4 Cylinder 'P' Pump
023-238	Kit Overhaul Valve and Diaphragm 6 Cylinder 'P' Pump
023-239	Kit Overhaul Valve and Diaphragm 8 Cylinder 'P' Pump
023-231	Kit Overhaul Pressure Control Valve

SERVICE EXCHANGE PUMPS

'P' Pumps

6 x 22mm	4000psi/12gpm
8 x 22mm	4000psi/16gpm
8 x 20mm	4000psi/10gpm

Century Series

8 x 22.5mm	10,000psi/14gpm
8 x 25mm	8000psi/24gpm
8 x 27.5mm	6000psi/32gpm

ALL SERVICE EXCHANGE PUMPS ARE SUPPLIED WITH A 12 MONTH WARRANTY FOR PARTS AND LABOR.



A deposit will be requested and refunded on the receipt of your old 'P' Pump.

A deposit will be requested and refunded on the receipt of your old Century Pump.

We accept Visa and Mastercard on all parts and accessories orders.

