

HP Flush & Test Rigs



- Harben® flushing pump suitable for low viscosity water based oils i.e. Oceanic HW series, Castrol Brayco, Transaqua, MEG, water
- NAS 1638 Class 6 cleanliness standard
- Trolley and skid versions
- Flush up to 415 bar/55 lpm, Test up to 1400 bar
- Basic, PLC and HMI control options

Model	HP Onshore Flush & Test Rigs
Pressure and Flow	The Harben® Onshore flushing rigs are available with a wide range of pressure and flow combinations. See reverse of brochure for details
Flushing Pump	Harben® 'P' type radial piston diaphragm pump suitable for low viscosity water and oil based fluids. Capable of pumping low lubricity fluids at high pressure. Seal-less design for long service intervals. Harben® pressure control valve with replaceable stem and seats
Motor/Starter	Typically safe area TEFC motor with flange mount for ideal alignment and IP55 rating for ingress protection. Options available are 400v/3ph/50Hz, 440-460v/3ph/60Hz or multi voltage 400/690v 50Hz - 400v 60Hz - 440-480v 60Hz - 660-690v 60 Hz. Star delta and DOL starting options available to match supply requirements. ATEX options available
Test Pump	Pneumatic intensifier type high pressure test pump with operating pressure available up to 1,400 bar all piped through a common outlet with the flushing pump allowing lines to be flushed and tested in one operation
Pneumatic supply	A compressed air supply will be required to operate the test pump from 7 bar at 75 scfm
Supply Tank	200 litre supply tank manufactured from 316 stainless steel. Low level and high temperature fluid sensing
Cooling	Thermostatically controlled water cooled plate cooler to maintain flushing fluid at required temperature (optional air blast cooler available)
Frame	316 stainless steel or mild steel shot blasted and powder coated
Filtration	420 bar 3 micron high pressure filter, 40 bar 3 micron low pressure filter. Fitted with clogging indicators
Flow meter	Analogue and digital flow meter options are available
Pressure gauge	Analogue and digital pressure gauges are available
Dimensions	1950mm Long X 1200mm Wide X 1580mm High * (varies with specification)
Weight	Dry weight: From 850 kgs *

* All weights and dimensions are subject to change and should be confirmed with Flowplant at time of quotation and ordering

The tables below show the performance in l/min that can be expected when operating on 50 Hz and 60 Hz electrical supplies with a 6 pole motor at maximum working pressure. The Harben® P type pump can be operated at up to 1300 rpm and when used with inverter drives (VFD) the flow will be proportionally higher than those shown.

50 Hz supply

Motor Power kW / 6 pole / 50 Hz / 975 rpm*	P Pump Model *	415 Bar				350 Bar				275 Bar			
		3x18	4x18	6x18	8x18	3x20	4x20	6x20	8x20	3x22	4x22	6x22	8x22
11 kW		9.2	12.6			12.1				17.8			
15 kW				18.9			17				23.3		
18.5 kW							25.3						
22 kW					26.4			33.9			36		
30 kW												45.5	

60 Hz supply

Motor Power kW / 6 pole / 60 Hz / 1175 rpm **	P Pump Model *	415 Bar				350 Bar				275 Bar			
		3x18	4x18	6x18	8x18	3x20	4x20	6x20	8x20	3x22	4x22	6x22	8x22
11 kW		11.1	15.2			14.6							
15 kW							21				21.5		
18.5 kW				22.8								28	
22 kW								30.5					
30 kW					31.9				40.9			43.4	54.8

* All performances are approximate.

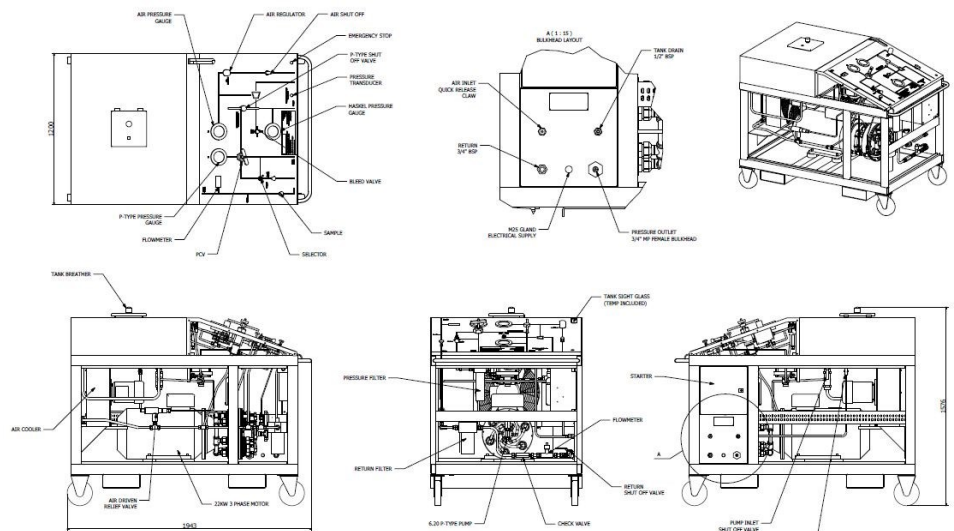
** Motor kW ratings are those stamped for 50Hz operation. 60Hz ratings will be proportionally higher

Flowplant Group Ltd

Gemini House, Brunel Road,
Churchfields Industrial Estate,
Salisbury, Wiltshire. SP2 7PU
United Kingdom

t: +44 (0)1722 325 424
f: +44 (0)1722 411 329
e: sales@flowplant.co.uk
w: www.flowplant.com

**High Pressure
Cleaner Solutions**



Flowplant Group Ltd provides the information herein in good faith but makes no representation as to its comprehensiveness or accuracy. This data sheet is intended only as a guide to Flowplant Group Ltd products and services. Individuals using this data sheet must exercise their independent judgment in evaluating product selection and determining product appropriateness for their particular purpose and system requirements. Flowplant Group Ltd MAKES NO REPRESENTATIONS OR WARRANTIES, EITHER EXPRESS OR IMPLIED, INCLUDING WITHOUT LIMITATION ANY WARRANTIES OF MERCHANTABILITY OR FITNESS FOR A PARTICULAR PURPOSE WITH RESPECT TO THE INFORMATION SET FORTH HEREIN OR THE PRODUCT(S) TO WHICH THE INFORMATION REFERS. ACCORDINGLY, Flowplant Group Ltd WILL NOT BE RESPONSIBLE FOR DAMAGES (OF ANY KIND OR NATURE, INCLUDING INCIDENTAL, INDIRECT, OR CONSEQUENTIAL DAMAGES) RESULTING FROM THE USE OF OR RELIANCE UPON THIS INFORMATION. Flowplant Group Ltd reserves the right to change product designs and specifications without notice.