

UFU - Umbilical Flushing Unit

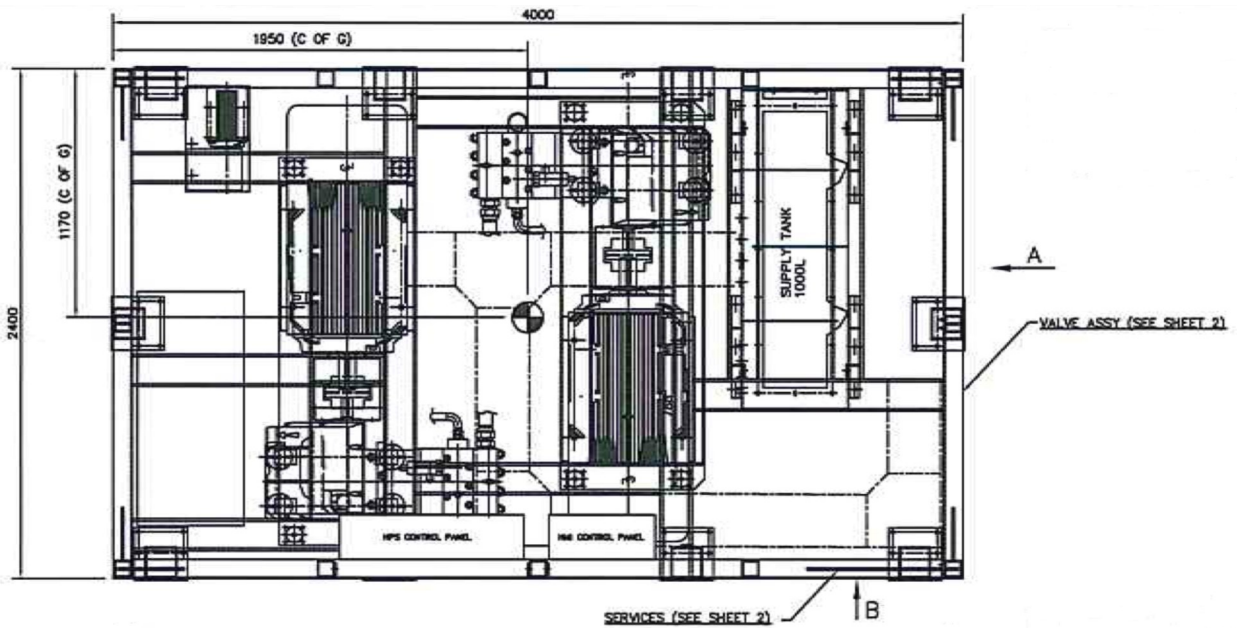
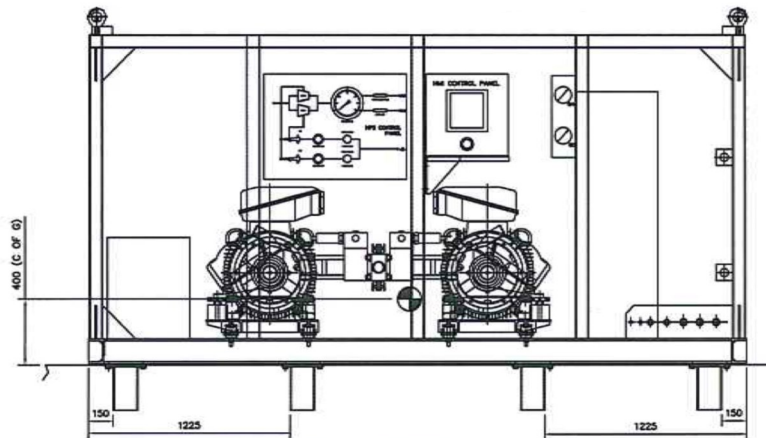


- Umbilical Flushing Unit with integrated pump system capable of flushing and hydrostatic testing
- NAS 1638 Class 6 cleanliness standard
- Features 2 x displacement piston pumps, each capable of flushing 60 lpm @ 1034 Bar
- Hydrostatic air driven test pump, 400 lph @ 1034 Bar
- Hydrostatic air driven test pump 3-4 lpm @ 1034 Bar

Model	UFU—Umbilical Flushing Unit
Pressure and Flow	Flushing pump (F1): 60 lpm @ 1034 Bar Flushing pump (F2): 60 lpm @ 1034 Bar Hydrostatic test pump (HTP): 3-4 lpm @ 1034 Bar
Pump	Aqua AHF 215 three cylinder positive displacement plunger pump Air driven hydrostatic test pump, dual piston 1034 Bar
Motor/Starter	Motors are IP55 rated for ingress protection. Inverter driven 110kW motor controlled via Red Lion HMI.
Control System	Remote control available with full downloadable data logger availability and touch screen operation
Services Required	Air supply: 9 Bar @ 200 scfm Electrical supply: 440v 3 phase 60 Hz (other options available upon request) Water supply (cooling): 2100 lpm @ 2 Bar (minimum)
Pressure Relief Valve	PRV set to 10% WP. Lloyd's Register certification available upon request.
Pressure Regulating Valve	Pneumatic operated pressure regulating valve controlled via Red Lion HMI
Sampling	Fluid sampling on tank, pressure line and return
Supply Tank	1000 litre supply tank manufactured from 316 stainless steel. Full temperature and level monitoring via HMI.
Cooling	Thermostatically controlled water cooled plate cooler to maintain flushing fluid at required temperature, options on fresh water and sea water cooling
Frame	Mild steel SHS tested and certified to 1.5 SWL. Supplied with approved lifting eyes for transportation.
Filtration	1034 Bar 3 micron high pressure filter, 40 Bar 3 micron low pressure filter. Fitted with electrical clogging indicators.
Dimensions	4000mm Long x 2400mm Wide x 2000mm High *
Weight	Dry weight: From 6400 kgs *

*These units are bespoke to suit customer's requirements

** All weights and dimensions are subject to change and should be confirmed with Flowplant at time of quotation and ordering

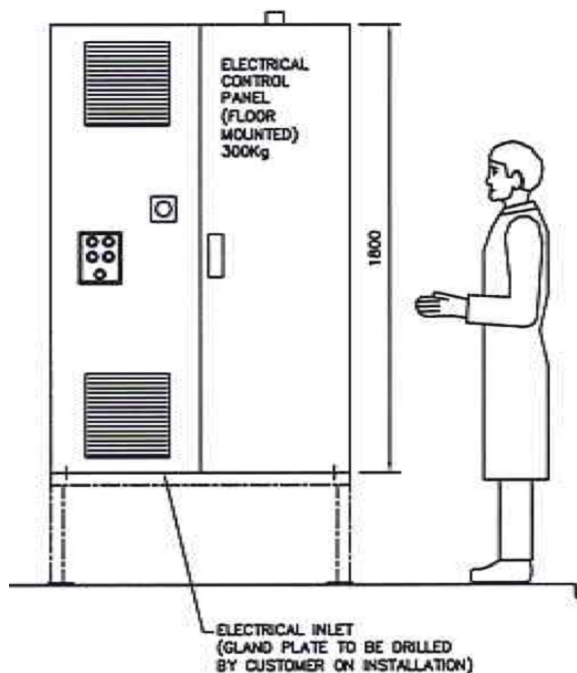


Flowplant Group Ltd

Gemini House, Brunel Road,
Churchfields Industrial Estate,
Salisbury, Wiltshire. SP2 7PU
United Kingdom

t: +44 (0)1722 325 424
f: +44 (0)1722 411 329
e: sales@flowplant.co.uk
w: www.flowplant.com

**High Pressure
Cleaner Solutions**



Flowplant Group Ltd provides the information herein in good faith but makes no representation as to its comprehensiveness or accuracy. This data sheet is intended only as a guide to Flowplant Group Ltd products and services. Individuals using this data sheet must exercise their independent judgment in evaluating product selection and determining product appropriateness for their particular purpose and system requirements. Flowplant Group Ltd MAKES NO REPRESENTATIONS OR WARRANTIES, EITHER EXPRESS OR IMPLIED, INCLUDING WITHOUT LIMITATION ANY WARRANTIES OF MERCHANTABILITY OR FITNESS FOR A PARTICULAR PURPOSE WITH RESPECT TO THE INFORMATION SET FORTH HEREIN OR THE PRODUCT(S) TO WHICH THE INFORMATION REFERS. ACCORDINGLY, Flowplant Group Ltd WILL NOT BE RESPONSIBLE FOR DAMAGES (OF ANY KIND OR NATURE, INCLUDING INCIDENTAL, INDIRECT, OR CONSEQUENTIAL DAMAGES) RESULTING FROM THE USE OF OR RELIANCE UPON THIS INFORMATION. Flowplant Group Ltd reserves the right to change product designs and specifications without notice.