

# 'P' Type Pump

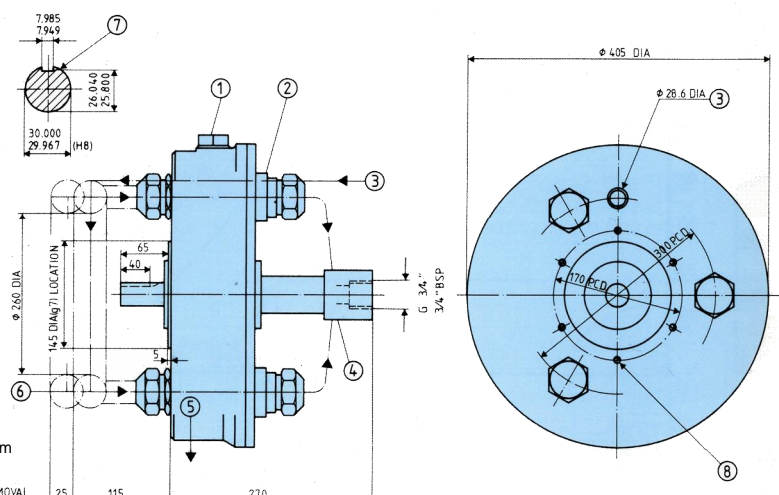
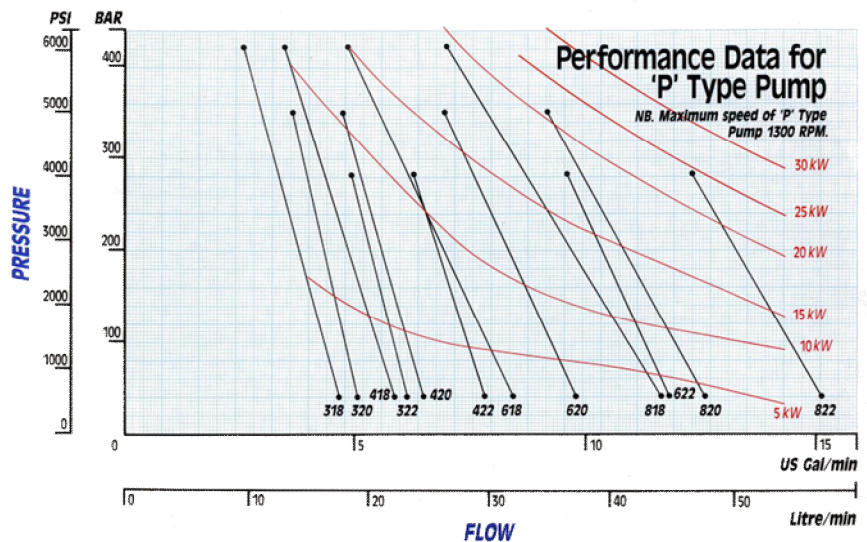
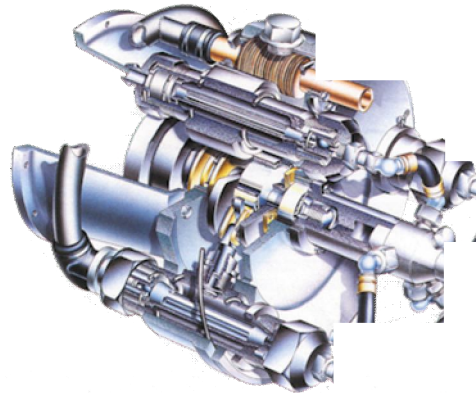
A revolution in pumping technology the unique Harben radial piston pump range are the best performing, most durable and reliable high pressure pumps in the marketplace today.

**Benefits include:**

- Unrivalled reliability and long service intervals
- Variable pressure and flow options without piston changes
- Run dry without damage
- Filtration to 150 microns
- Pump sea water without modification
- Multi-cylinders therefore no pulsation
- Compact and lightweight

**Main Applications**

- High pressure cutting of board, plastic and materials.
- Water hydraulic systems
- Abrasive blasting and descaling
- Drain and sewer cleaning
- Tube descaling
- Desalination by reverse osmosis
- Pumping demineralised water
- Floor and surface cleaning
- Underwater cleaning



**Flowplant Group Ltd**

Gemini House, Brunel Road,  
 Churchfields Industrial Estate,  
 Salisbury, Wiltshire. SP2 7PU  
 United Kingdom

t: +44 (0)1722 325 424  
 f: +44 (0)1722 411 329  
 e: sales@flowplant.co.uk  
 w: www.flowplant.com

**High Pressure  
 Cleaner Solutions**

**Note: Pumps can be direct coupled to electric motors or diesel engines. Hydraulic drive and belt drive mounting options also available.**  
**Performance graph show above is for 1000 RPM pump performance.**

Flowplantspolicy is one of continuous improvement and the right is reserved to revise specifications without prior notice.



Flowplant Group Ltd provides the information herein in good faith but makes no representation as to its comprehensiveness or accuracy. This data sheet is intended only as a guide to Flowplant Group Ltd products and services. Individuals using this data sheet must exercise their independent judgment in evaluating product selection and determining product appropriateness for their particular purpose and system requirements. Flowplant Group Ltd MAKES NO REPRESENTATIONS OR WARRANTIES, EITHER EXPRESS OR IMPLIED, INCLUDING WITHOUT LIMITATION ANY WARRANTIES OF MERCHANTABILITY OR FITNESS FOR A PARTICULAR PURPOSE WITH RESPECT TO THE INFORMATION SET FORTH HEREIN OR THE PRODUCT(S) TO WHICH THE INFORMATION REFERS. ACCORDINGLY, Flowplant Group Ltd WILL NOT BE RESPONSIBLE FOR DAMAGES (OF ANY KIND OR NATURE, INCLUDING INCIDENTAL, INDIRECT, OR CONSEQUENTIAL DAMAGES) RESULTING FROM THE USE OF OR RELIANCE UPON THIS INFORMATION. Flowplant Group Ltd reserves the right to change product designs and specifications without notice.