



## Flowplant Technical Bulletin

Date – 17/04/19

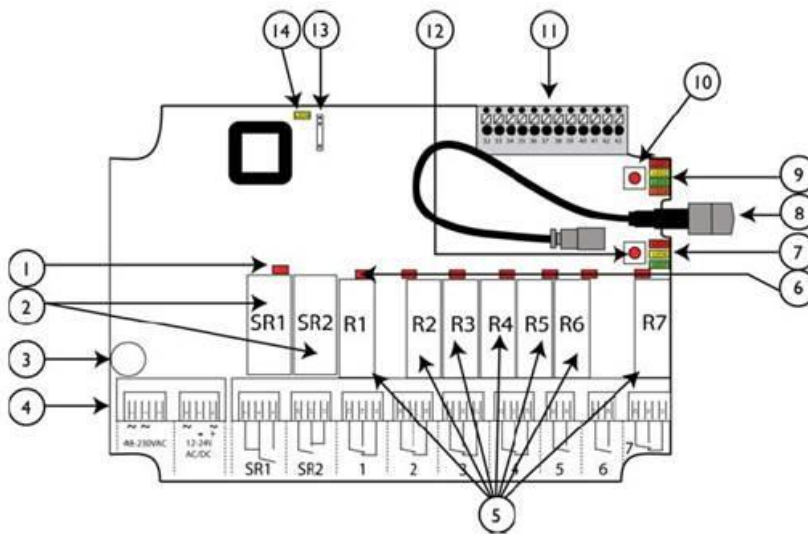
Subject – Replacing Teleradio Handset - CanOpen

Assigned to – All

**Part Affected:**

Teleradio radio transmitter and handset

**Receiver diagram and key:**



Base board:

1. LED representing stop relays 1+2 (red)	8. Antenna connector
2. Stop relays 1+2	9. Function LEDs 1-4 (1= red, 2= yellow, 3= green, 4= orange)
3. Obligatory fuse 2A (slow)	10. Function button (Cancel)
4. Terminal block for input power	11. Terminal block for mixed I/O
5. Function relays 1-7	12. Select button (OK)
6. Relay LEDs 1-7 (red)	13. Programming connector
7. Function LEDs 5-7 (5= red, 6= yellow, 7= green)	14. Power LED (yellow)

**Video Link**

V:\Videos\Teleradio\TB058 - Replacing Teleradio Handset - CanOpen

### **Erasing all Receivers from the Transmitter (Reset)**

This procedure will erase all receivers from the transmitter. This procedure should only be completed if the receiver(s) in memory are lost or destroyed.

While the e-stop is in, press and hold button 1+2.

1. While holding buttons 1+2, release the e-stop. Screen will display [KEEP BUTTONS PRESSED]. Continue to hold buttons for about 5 seconds. Screen will display [Release Buttons].
2. Release the buttons. Screen displays [Erase All RX push blinking buttons to confirm reset] and LEDs 1-4 blinking.
3. Press and release the buttons in the following order. 1-2-3-4. If a button is not pressed after 4 seconds between each press, the transmitter will start up and this procedure has to be restarted. [All receivers erased] will be displayed if successful.

### **Replace**

Make note of the serial number of the transmitter to be replaced, this serial number must be entered in the new transmitter. The new transmitter must be within range of the receiver and receiver must have power during this procedure. Please note, the slot on the new transmitter where the receiver is saved on the old transmitter must be free for the replace to be successful.

Release the e-stop of the new remote. If no receivers are in memory of the transmitter, screen will display [NO RECEIVERS Press MENU + STOP].

1. Press and hold button 6.
2. While holding button 6, push in the e-stop.
3. Release button 6. Remote is now in the menu. Pressing button 1 will lower the cursor, pressing button 2 will raise the cursor.
4. Press and release button 1 until the cursor is on [Replace].
5. Press and release button 5 to enter the replace submenu. Screen will display Replace and 6 available digits will be on the screen.
6. Enter the serial number of the old transmitter. Button 1 will decrease the value of the digit that is flashing by 1, button 2 will increase the value of the digit that is flashing by 1, button 3 will move the flashing cursor to the left, button 4 will move the flashing cursor to the right.
7. Once the serial number is displayed correctly on the screen, press and release button 5. Screen will display [REPLACING]. If successful, screen will display [OK] and the remote will shut off. If unsuccessful, the screen will display [FAILED].

***If you have any questions, please ask.***