



# 320 Series Van Pack

- Suitable for drains up to 150mm
- Compact & Low weight
- Latest low emission diesel engine
- 7 Channel Radio remote control
- Engine start/stop, pressure & flow control



|                              |  |
|------------------------------|--|
| <b>Model</b>                 | <b>320 Series Van Pack</b>   |
| <b>Pressure and Flow</b>     | Up to 200 bar / 45 litres per minute (3000 psi / 10 gpm)<br>Up to 170 bar / 54 litres per minute (2500 psi / 12 gpm)   |
| <b>Pump</b>                  | Triplex plunger pump   |
| <b>Engine</b>                | Stage 5 low emission water cooled diesel engine  |
| <b>Water Tank</b>            | Single - 400 litres (90 gallons)   |
| <b>Frame</b>                 | Lightweight fibreglass canopy encasing a lightweight folded steel, shot blasted and powder coated frame  |
| <b>Hose Reel</b>             | Variable-speed hydraulic-rewind hose reel with 100m high-pressure hose capacity  |
| <b>Radio Remote</b>          | Supplied with a mains charger and 12v in-car charger. The remote can operate at a distance of 90m and allows the unit to be operated by a single operative.            |
| <b>Dimensions</b>            | 1235mm long x 1270mm wide x 1195mm high *  |
| <b>Weight</b>                | From 475kg *   |
| <b>Suggested Accessories</b> | - 1/2" Standard jetting hose—90m (300ft)<br>- 3 x 1/2" Standard drain jets (3r, 3r1f & 6r)<br>- 1/2" Safety leader hose - 3m (10ft)<br>- 1/2" Drain jet extension - 9" |

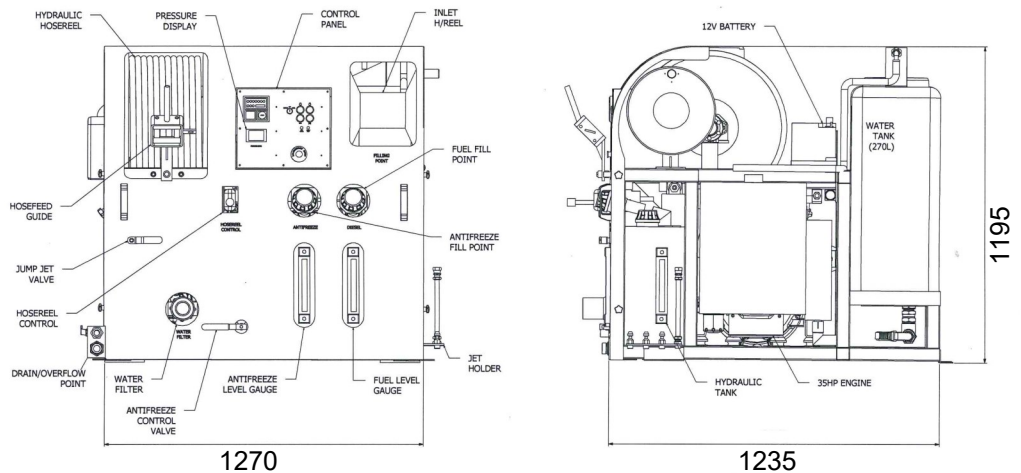
\* All weights and dimensions are approximate.

## Flowplant Group Ltd

Gemini House, Brunel Road,  
Churchfields Industrial Estate,  
Salisbury, Wiltshire. SP2 7PU  
United Kingdom

t: +44 (0)1722 325 424  
f: +44 (0)1722 411 329  
e: sales@flowplant.co.uk

- High Pressure
- Cleaner Solutions



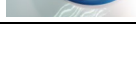



Flowplant Group Ltd provides the information herein in good faith but makes no representation as to its comprehensiveness or accuracy. This data sheet is intended only as a guide to Flowplant Group Ltd products and services. Individuals using this data sheet must exercise their independent judgment in evaluating product selection and determining product appropriateness for their particular purpose and system requirements. Flowplant Group Ltd MAKES NO REPRESENTATIONS OR WARRANTIES, EITHER EXPRESS OR IMPLIED, INCLUDING WITHOUT LIMITATION ANY WARRANTIES OF MERCHANTABILITY OR FITNESS FOR A PARTICULAR PURPOSE WITH RESPECT TO THE INFORMATION SET FORTH HEREIN OR THE PRODUCT(S) TO WHICH THE INFORMATION REFERS. ACCORDINGLY, Flowplant Group Ltd WILL NOT BE RESPONSIBLE FOR DAMAGES (OF ANY KIND OR NATURE, INCLUDING INCIDENTAL, INDIRECT, OR CONSEQUENTIAL DAMAGES) RESULTING FROM THE USE OF OR RELIANCE UPON THIS INFORMATION. Flowplant Group Ltd reserves the right to change product designs and specifications without notice.

Accessories can be viewed in our Drain Cleaning Accessories catalogue or online at <http://www.flowplant.com/drain-jetters/accessories/>

|   | Nozzles   | Part No.   |
|---|---|--|
|    | 1/2" Standard Drain Jet - 3r<br>1/2" Standard Drain Jet - 3r,1f<br>1/2" Standard Drain Jet - 4r<br>1/2" Standard Drain Jet - 4r,1f<br>1/2" Standard Drain Jet - 6r<br>1/2" Standard Drain Jet - 6r,1f | 056097<br>056413<br>056582<br>056583<br>056584<br>056585 |
|    | 1/2" High Efficiency Jet - 3r<br>1/2" High Efficiency Jet - 3r,1f<br>1/2" High Efficiency Jet - 4r<br>1/2" High Efficiency Jet - 6r   | 056670<br>056671<br>056672<br>060133                     |
|    | 1/2" High Efficiency Sapphire Jet<br>(3r, 3r1f, 6r or 6r1f)   | 0561126  |
|    | Mini Jet (Ball) - 3r<br>Mini Jet (Ball) - 3r,1f   | 056126<br>056412   |
|    | 1/2" Plough Jet - 2r  | 056044   |
|  | 1/2" Rocket Jet - 4r  | 056845   |
|  | Turbo Jet - 2r  | 056323   |
|  | 1/2" Chain Flail  | 056982   |
|  | Root Cutter Saw Set with Motor<br>Root Cutter Blade - 100mm<br>Root Cutter Blade - 150mm<br>Root Cutter Blade - 225mm   | 056981<br>056989<br>056967<br>056968                     |
|  | Primus Rotary Descaling Jet with<br>Ceramic Nozzles   | 056949   |
|  | 1/2" Aquaspin - 3 fixed, 4@45°<br>1/2" Aquaspin - 3 fixed, 4@90°  | 056645<br>056653   |
|  | High Efficiency Sapphire Silt Bomb<br>(3r, 3r1f, 6r or 6r1f)  | 0561127  |
|  | 1/2" Enz Chain Flail<br>(Inserts Required)  | 0561052  |
|  | 1/4" Enz Gliding Nozzle -<br>2r, 1@90°<br>(Inserts Required)  | 0561055  |
|  | 1/4" Enz Rotopuls - 3r, 2@90°<br>(Inserts Required)   | 0561099  |
|  | 1/2" Enz Rotodril - 6r, 1f@7°<br>(Inserts Required)   | 0561100  |

|   | Jetting Accessories   | Part No                                |
|---|---|--|
|    | Mini Jet Kit - 6m - 3r1f<br>Mini Jet Kit - 6m - 3r<br>Mini Jet Kit - 15m - 3r<br>Micro Mini Jet Kit - 6m - 3r1f | 023220<br>023227<br>023275<br>032601   |
|    | Tiger Tail - 2"<br>Tiger Tail - 3"  | 0551443<br>055147                      |
|    | Drain Jet Extension - 9"<br>Drain Jet Extension - 12"<br>Drain Jet Extension - 18"                              | 033085<br>033086<br>033087             |
|    | Foot Control Valve  | 031043                                 |
|    | MkII High Pressure Dump Gun<br>Shoulder Stock<br>MkII Gun Safety Shroud<br>P&A Gun Spinning Nozzle - 2f         | 031040<br>7001931<br>7001679<br>056326 |
|   | 1.5" Jet Pump - Output 50gpm<br>1.5" Jet Pump - Output 45gpm  | 032121<br>032121                       |
|  | Hoverclean - 0.7m Cleaning Width  | 023228                                 |

|   | Hoses  | Part No            |
|---|--|--------------------|
|  | Tuffskin Lightweight Hose - 90m                    | 0551229            |
|  | Stauffshield Hose - 90m<br>Stauffshield Hose - 30m | 0551580<br>0551623 |
|  | Safety Leader Hose - 3m                            | 055093             |

|   | Safety Equipment                       | Part No |
|---|--|---------|
|  | Jetting Helmet Set                     | 065013  |
|   | Jetting Safety Boots<br>(Sizes 6 - 12) | TBC     |
|   | Waterproof Suit<br>Sizes S - XL)       | TBC     |
|   | Gauntlet Gloves                        | 065064  |
|   | Safety Burst Discs (Green)             | 011045  |
|   | Safety Sign                            | 061054  |